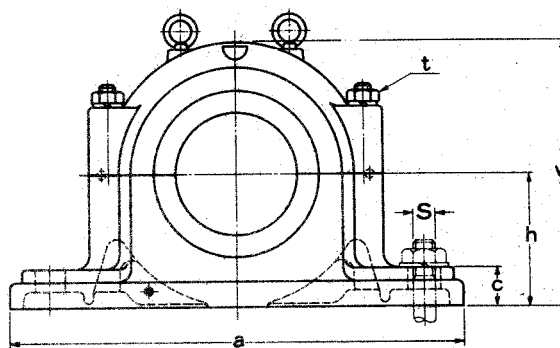
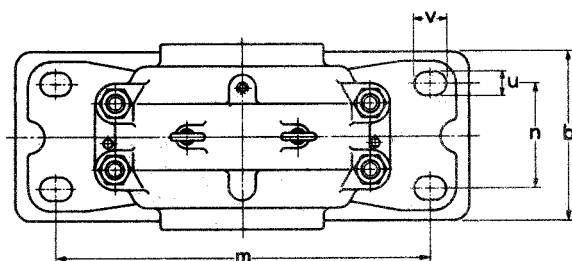


Plummer blocks : adapter mounting

SD5 series

SD6 series



Shaft dia mm d ₁	Plummer block number		Dimensions mm									
	Floating type	Fixed type	h	a	b	c	l	w	m	n	u	v
150	SD534	SD534G	180	620	230	60	270	360	510	140	32	52
160	SD536	SD536G	190	650	240	60	280	380	540	150	32	52
170	SD538	SD538G	200	700	260	65	290	400	570	160	35	55
180	SD540	SD540G	210	740	270	65	300	420	610	170	35	55
200	SD544	SD544G	240	820	300	70	330	475	680	190	40	60
220	SD548	SD548G	260	880	310	85	340	515	740	200	42	62
240	SD552	SD552G	280	940	340	85	370	560	790	210	42	62
260	SD556	SD556G	300	990	370	100	390	590	830	230	50	70
280	SD560	SD560G	325	1060	390	100	410	640	890	250	50	70
300	SD564	SD564G	355	1110	420	110	440	690	930	270	57	77
150	SD634	SD634G	210	740	270	65	300	420	610	170	35	55
160	SD636	SD636G	225	780	290	70	320	450	640	180	40	60
170	SD638	SD638G	240	820	300	70	330	475	680	190	40	60
180	SD640	SD640G	250	860	320	85	350	500	710	200	42	62
200	SD644	SD644G	280	920	330	85	360	550	770	210	42	62
220	SD648	SD648G	300	990	370	100	390	590	830	230	50	70
240	SD552	SD652G	325	1060	390	100	410	640	890	250	50	70
260	SD556	SD656G	355	1110	420	110	440	690	930	270	57	77

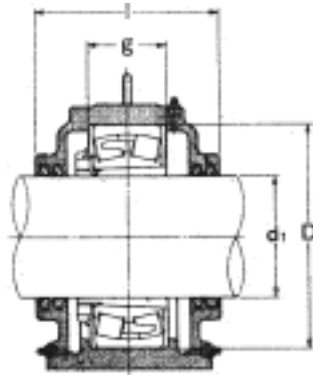
1. The figures in column g indicate the width of the bearing seat in the floating end plummer block.

In the fixed plummer block, the width of the seat is 0.5mm larger than the width of the bearing (G).

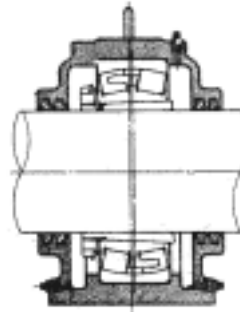
Notes : An oil hole or a grease nipple and an oil extracting hole will be provided on request.

Size : Oil hole and grease nipple, PT 1/4.

Oil extracting hole, PT 3/8.



Floating end



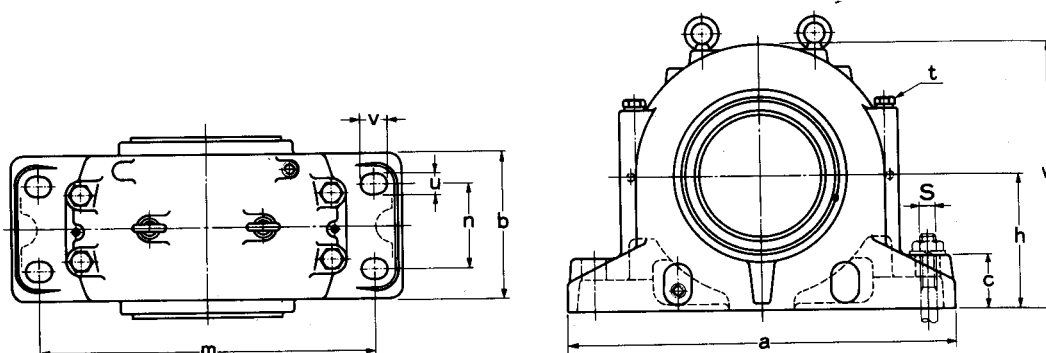
Fixed end

Dimensions mm				Mass kg	Relevant parts		Oil seal		Shaft dia mm d ₁
h	a	b	c		Spherical bearing and adapter number	Synthetic rubber number ¹⁾	Q'ty		
310	96	M24	M30	95	22234K + H3134	ZF 34	4	150	
320	96	M24	M30	110	22236K + H3136	ZF 36	4	160	
340	102	M30	M30	130	22238K + H3138	ZF 38	4	170	
360	108	M30	M30	150	22240K + H3140	ZF 40	4	180	
400	118	M30	M36	210	22244K + H3144	ZF 44	4	200	
440	130	M36	M36	240	22248K + H3148	ZF 48	4	220	
480	140	M36	M36	320	22252K + H3152	ZF 52	4	240	
500	140	M36	M42	370	22256K + H3156	ZF 56	4	260	
540	150	M36	M42	460	22260K + H3160	ZF 60	4	280	
580	160	M42	M48	560	22264K + H3164	ZF 64	4	300	
360	130	M30	M30	150	22334K + H2334	ZF 34	4	150	
380	136	M30	M36	180	22336K + H2336	ZF 36	4	160	
400	142	M30	M36	210	22338K + H2338	ZF 38	4	170	
420	148	M36	M36	240	22340K + H2340	ZF 40	4	180	
460	155	M36	M36	300	22344K + H2344	ZF 44	4	200	
500	165	M36	M42	370	22348K + H2348	ZF 48	4	220	
540	175	M36	M42	460	22352K + H2352	ZF 52	4	240	
580	178	M42	M48	560	22356K + H2356	ZF 56	4	260	

Ordering :

When ordering, specify all parts needed. For example, order one SD534 housing, one 22234K bearing, one H3134 adapter, four ZF34 oil seals. If you order only an SD534, you will only receive an SD534 housing.

Plummer blocks : adapter mounting SD31 . . TS series



Shaft dia mm d_1	Plummer block number		Dimensions mm									
	Floating type	Fixed type	h	a	b	c	l	l_1	w	m	n	u
150	SD3134TS	SD3134TSG	170	510	180	70	230	240	335	430	100	28
160	SD3136TS	SD3136TSG	180	530	190	75	240	250	355	450	110	28
170	SD3138TS	SD3138TSG	190	560	210	80	260	270	375	480	120	28
180	SD3140TS	SD3140TSG	210	610	230	85	280	290	410	510	130	35
200	SD3144TS	SD3144TSG	220	640	240	90	290	300	435	540	140	35
220	SD3148TS	SD3148TSG	240	700	260	95	310	320	475	600	150	35
240	SD3152TS	SD3152TSG	260	770	280	100	320	330	515	650	160	42
260	SD3156TS	SD3156TSG	280	790	280	105	320	330	550	670	160	42
280	SD3160TS	SD3160TSG	300	830	310	110	350	360	590	710	190	42
300	SD3164TS	SD3164TSG	320	880	330	115	370	380	630	750	200	42
320	SD3168TS	SD3168TSG	360	1000	370	120	410	420	705	860	230	49
340	SD3172TS	SD3172TSG	360	1000	370	120	410	420	705	860	230	49
360	SD3176TS	SD3176TSG	390	1120	390	125	430	440	765	965	235	56
380	SD3180TS	SD3180TSG	390	1120	390	125	430	440	765	965	235	56
400	SD3184TS	SD3184TSG	425	1200	420	125	460	470	840	1035	250	56
410	SD3188TS	SD3188TSG	425	1200	420	125	460	470	840	1035	250	56

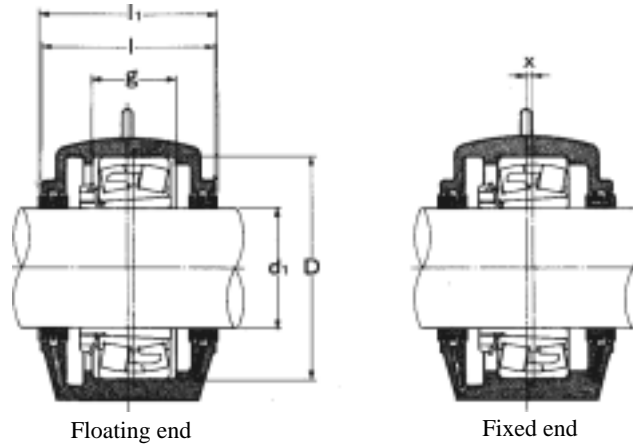
- The figures in column x^1 indicate the dimension from the center of the plummer block to the center of the bearing.
- The figures in column g indicate the width of the bearing seat in the floating end plummer block. In the fixed plummer block (G), the width of the seat is 0.5 mm larger than the width of the bearing.

Notes : 1. An oil hole or a grease nipple and an oil extracting hole will be provided on request.

Size : Oil hole and grease nipple, PT 1/4.

Oil extracting hole, PT 3/8.

- The triple seal is equipped with an O ring seal which is fitted around the shaft (h9) to take up the clearance.

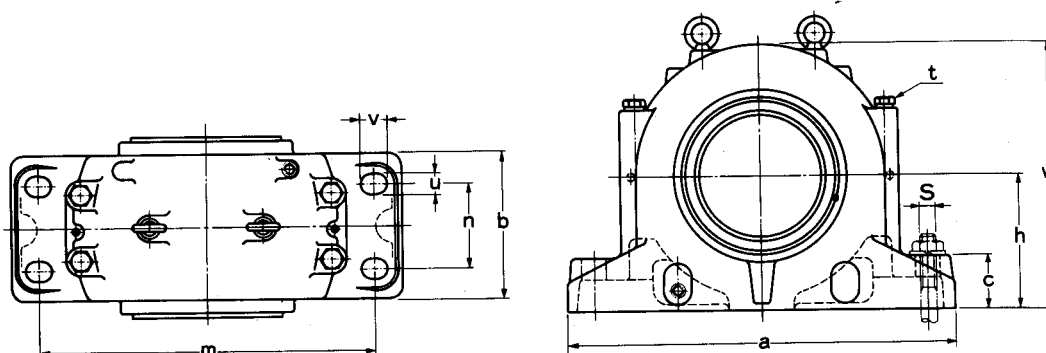


v	x ¹⁾	Dimensions mm				Mass kg	Spherical roller bearing and adapter number	Shaft dia mm d ₁
		D	g ²⁾	t	S			
33	14	280	108	M20	M24	68	23134K + H3134	150
33	15	300	116	M20	M24	79	23136K + H3136	160
33	10	320	124	M24	M24	100	23138K + H3138	170
40	10	340	132	M24	M30	130	23140K + H3140	180
40	12	370	140	M24	M30	140	23144K + H3144	200
40	12	400	148	M30	M30	190	23148K + H3148	220
47	13	440	164	M30	M36	230	23152K + H3152	240
47	16	460	166	M30	M36	260	23156K + H3156	260
47	22	500	180	M30	M36	320	23160K + H3160	280
47	23	540	196	M30	M36	350	23164K + H3164	300
59	31	580	210	M36	M42	550	23168K + H3168	320
59	31	600	212	M36	M42	520	23172K + H3172	340
66	31	620	218	M42	M48	710	23176K + H3176	360
66	31	650	224	M42	M48	670	23180K + H3180	380
66	31	700	248	M42	M48	900	23184K + H3184	400
66	31	720	250	M42	M48	850	23188K + H3188	410

Ordering :

When ordering, specify all parts needed. For example, order one SD3134TS housing, one 23134K bearing, one H3134 adapter. If you order only an SD3134, you will only receive an SD3134TS housing.

Plummer blocks : adapter mounting SD32 . . TS series



Shaft dia mm d_1	Plummer block number		Dimensions mm									
	Floating type	Fixed type	h	a	b	c	l	l_1	w	m	n	u
150	SD3234TS	SD3234TSG	190	560	210	80	260	270	375	480	120	28
160	SD3236TS	SD3236TSG	190	560	210	80	260	270	375	480	120	28
170	SD3238TS	SD3238TSG	210	610	230	85	280	290	410	510	130	35
180	SD3240TS	SD3240TSG	220	640	240	90	290	300	435	540	140	35
200	SD3244TS	SD3244TSG	240	700	260	95	310	320	475	600	150	35
220	SD3248TS	SD3248TSG	260	770	280	100	320	330	515	650	160	42
240	SD3252TS	SD3252TSG	300	830	310	110	350	360	590	710	190	42
260	SD3256TS	SD3256TSG	300	830	310	110	350	360	590	710	190	42
280	SD3260TS	SD3260TSG	320	880	330	115	370	380	630	750	200	42
300	SD3264TS	SD3264TSG	360	1000	370	120	410	420	705	860	230	49
320	SD3268TS	SD3268TSG	390	1120	390	125	430	440	765	965	235	56
340	SD3272TS	SD3272TSG	390	1120	390	125	430	440	765	965	235	56
360	SD3276TS	SD3276TSG	425	1200	420	125	460	470	840	1035	250	56
380	SD3280TS	SD3280TSG	425	1200	420	125	460	470	840	1035	250	56

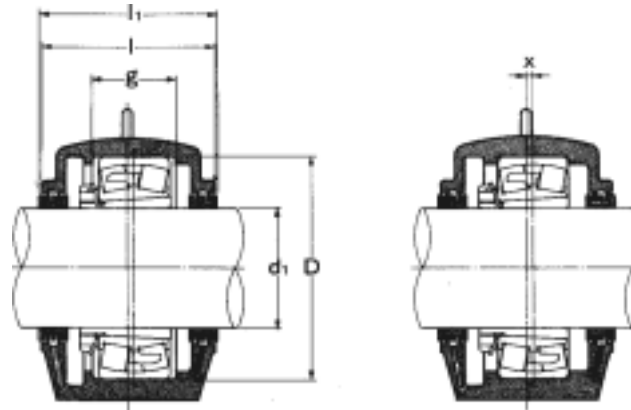
- The figures in column h indicate the dimension from the center of the plummer block to the center of the bearing.
- The figures in column g indicate the width of the bearing seat in the floating end plummer block. In the fixed plummer block (G), the width of the seat is 0.5 mm larger than the width of the bearing.

Notes : 1. An oil hole or a grease nipple and an oil extracting hole will be provided on request.

Size : Oil hole and grease nipple, PT 1/4.

Oil extracting hole, PT 3/8.

- The triple seal is equipped with an O ring seal which is fitted around the shaft (h9) to take up the clearance.



Floating end

Fixed end

v	x ¹⁾	Dimensions mm				Mass kg	Spherical roller bearing and adapter number	Shaft dia mm d ₁
		D	g ²⁾	t	S			
33	10	310	130	M20	M24	110	23234K + H2334	150
33	5	320	132	M24	M24	100	23236K + H2336	160
40	12	340	140	M24	M30	130	23238K + H2338	170
40	11	360	148	M24	M30	150	23240K + H2340	180
40	20	400	164	M30	M30	200	23244K + H2344	200
47	21	440	180	M30	M36	230	23248K + H2348	220
47	26	480	194	M30	M36	320	23252K + H2352	240
47	25	500	196	M30	M36	310	23256K + H2356	260
47	29	540	212	M30	M36	360	23260K + H3260	280
59	31	580	228	M36	M42	560	23264K + H3264	300
66	31	620	248	M42	M48	720	23268K + H3268	320
66	31	650	256	M42	M48	680	23272K + H3272	340
66	31	680	264	M42	M48	890	23276K + H3276	360
66	31	720	280	M42	M48	840	23280K + H3280	380

Ordering :

When ordering, specify all parts needed. For example, order one SD3234TS housing, one 3234K bearing, one H2334 adapter. If you order only an SD3234TS, you will only receive an SD3234TS housing.