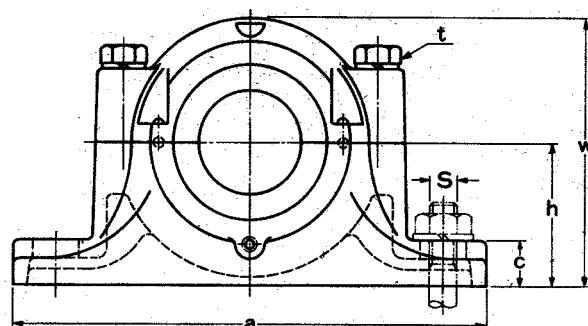
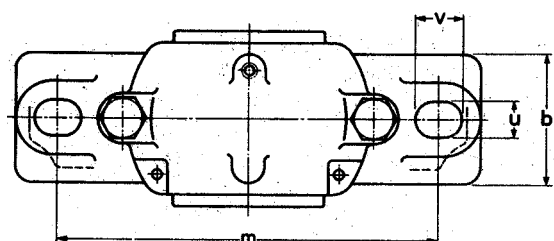


Plummer blocks : adapter mounting

SN30 series

SN31 series



Shaft dia mm d ₁	Plummer Block number	Dimensions mm													Mass kg
		h	a	b	c	l	w	m	u	v	D	g	t	S	
110	SN3024	112	380	110	40	150	217	320	26	32	180	56	M20	M24	17
115	SN3026	125	410	120	45	160	240	350	26	32	200	62	M20	M24	20
125	SN3028	140	410	120	45	170	260	350	26	32	210	63	M20	M24	25
135	SN3030	150	445	130	50	175	283	380	28	36	225	66	M24	M24	30
140	SN3032	150	460	130	50	190	290	390	28	36	240	70	M24	M24	37
150	SN3034	160	530	160	60	200	310	450	33	42	260	77	M24	M30	46
160	SN3036	170	550	160	60	210	330	470	33	42	280	84	M24	M30	55
170	SN3038	170	550	160	60	210	335	470	33	42	290	85	M24	M30	60
100	SN3122	112	380	110	40	155	217	320	26	32	180	66	M20	M24	18
110	SN3124	125	410	120	45	165	240	350	26	32	200	72	M20	M24	21
115	SN3126	140	410	120	45	170	260	350	26	32	210	74	M20	M24	26
125	SN3128	150	445	130	50	180	283	380	28	36	225	78	M24	M24	32
135	SN3130	150	500	150	50	200	295	420	33	42	250	90	M24	M30	40
140	SN3132	160	530	160	60	215	315	450	33	42	270	96	M24	M30	50
150	SN3134	170	550	160	60	220	330	470	33	42	280	98	M24	M30	57
160	SN3136	180	610	170	70	230	355	520	33	42	300	106	M30	M30	70
170	SN3138	190	650	180	70	240	375	560	33	42	320	114	M30	M30	85

1. The model number of the stabilizing ring indicates its outside diameter and width.

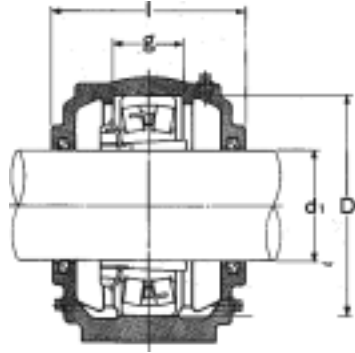
Notes : 1. A hook bolt is provided for plummer blocks larger than the SN3028 and the SN3126.

2. An oil holes or a grease nipple and an oil extracting hole will be provided on request.

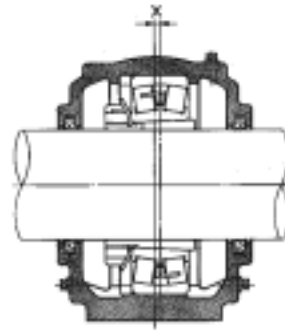
Size : For all models, PT-1/4

3. When one stabilizing ring is used, the fixed end bearing is offset from the center of the housing by a distance equal to half the width of the ring.

4. Please contact **SKI** when the plummer block is to be used with oil lubrication.



Floating end



Fixed end

Spherical bearing and adapter number	Relevant parts		Oil seal		Shaft dia mm d ₁
	Stabilizing ring number ¹⁾	Q'ty	Synthetic rubber number ¹⁾	Q'ty	
23024BK + H3024	SR180 × 10	1	FZ24	2	110
23026BK + H3026	SR200 × 10	1	FZ26	2	115
23028BK + H3028	SR210 × 10	1	FZ28	2	125
23030BK + H3030	SR225 × 10	1	FZ30	2	135
23032BK + H3032	SR240 × 10	1	FZ32	2	140
23034BK + H3034	SR260 × 10	1	FZ34	2	150
23036BK + H3036	SR280 × 10	1	FZ36	2	160
23038BK + H3038	SR290 × 10	1	FZ38	2	170
23122BK + H3122	SR180 × 10	1	FZ22	2	100
23124BK + H3124	SR200 × 10	1	FZ24	2	110
23126BK + H3126	SR210 × 10	1	FZ26	2	115
23128BK + H3128	SR225 × 10	1	FZ28	2	125
23130BK + H3130	SR250 × 10	1	FZ30	2	135
23132BK + H3132	SR270 × 10	1	FZ32	2	140
23134BK + H3134	SR280 × 10	1	FZ34	2	150
23136BK + H3136	SR300 × 10	1	FZ36	2	160
23138BK + H3138	SR320 × 10	1	FZ38	2	170

Ordering :

When ordering, specify all parts needed. For example, order one SN3024 housing, one 23024BK bearing, one H3024 adapter and two ZF24 oil seals. If you order only an SN3024, you will only receive an SN3024 housing.