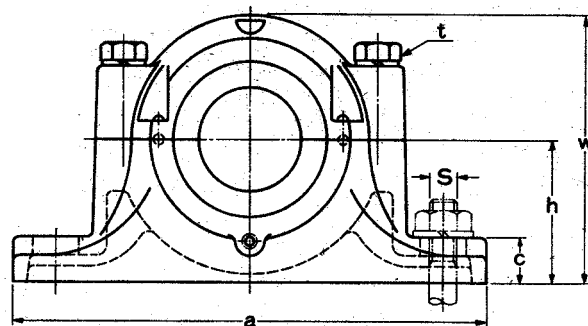
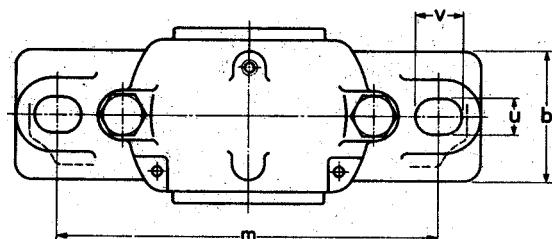


Plummer blocks : cylindrical bore mounting

SN3 series

S3 series



Shaft dia mm d ₁ d ₂	Plummer Block number	Dimensions mm													Mass kg
		h	a	b	c	l	w	m	u	v	D	g	t	S	
25 30	SN305	50	185	52	22	80	90	150	15	20	62	34	M 8	M12	1.6
30 35	SN306	50	185	52	22	82	95	150	15	20	72	37	M10	M12	1.8
35 45	SN307	60	205	60	25	90	110	170	15	20	80	41	M10	M12	2.6
40 50	SN308	60	205	60	25	95	115	170	15	20	90	43	M10	M12	2.9
45 55	SN309	70	255	70	28	105	130	210	18	23	100	46	M12	M16	4.1
50 60	SN310	70	255	70	30	115	135	210	18	23	110	50	M12	M16	4.7
55 65	SN311	80	275	80	30	120	150	230	18	23	120	53	M12	M16	5.8
60 70	SN312	80	280	80	30	125	155	230	18	23	130	56	M12	M16	6.5
65 75	SN313	95	315	90	32	130	175	260	22	27	140	58	M16	M20	8.7
70 80	SN314	95	320	90	32	130	185	260	22	27	150	61	M16	M20	10
75 85	SN315	100	345	100	35	140	195	290	22	27	160	65	M16	M20	11
80 90	SN316	112	345	100	35	145	212	290	22	27	170	68	M16	M20	13
85 95	SN317	112	380	110	40	155	218	320	26	32	180	70	M20	M24	15
90 100	SN318	112	400	110	33	160	230	320	26	35	190	74	M20	M24	22
95 110	SN319	125	420	120	36	170	245	350	26	35	200	77	M20	M24	26
100 115	SN320	140	420	120	38	175	280	350	26	35	215	83	M20	M24	32
110 125	SN322	150	460	130	40	190	300	390	28	38	240	90	M24	M24	42
120 135	SN324	160	540	160	50	205	325	450	33	42	260	96	M24	M30	61
130 150	SN326	170	560	160	50	215	350	470	33	42	280	103	M24	M30	68
140 160	SN328	180	630	170	55	235	375	520	35	45	300	112	M30	M30	95
150 170	SN330	190	680	180	55	245	395	560	35	45	320	118	M30	M30	110
160 180	SN332	200	710	190	60	255	415	580	42	52	340	124	M30	M36	130

1. The model number of the stabilizing ring indicates its outside diameter and width.

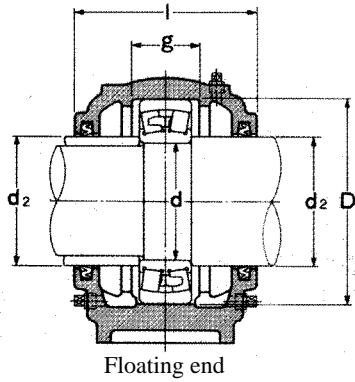
Notes : 1. A hook bolt is provided for plummer blocks larger than the S318.

2. An oil holes or a grease nipple and an oil extracting hole will be provided on request.

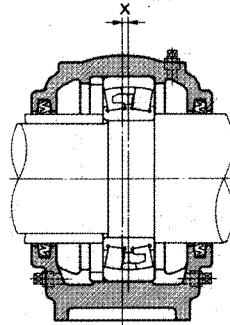
Sizes : For The SN308 and smaller models, M6 × 0.75.

For models SN309 through SN317, PT 1/8.

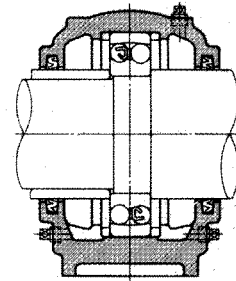
For the SN318 and larger models, PT 1/4.



Floating end



Fixed end
(with 1 stabilizing ring)



Fixed end
(with 2 stabilizing rings)

Self aligning ball bearing number	Stabilizing ring		Relevant parts		Stabilizing rings		Oil seal		Shaft dia. mm d
	number ¹⁾	Q'ty	Spherical roller bearing number	number ¹⁾	Q'ty	Synthetic rubber number ¹⁾	Q'ty		
1305 2305	SR 62 × 8.5 SR 62 × 10	2 1	—	—	—	—	ZF 7	2	25
1306 2306	SR 72 × 9 SR 72 × 10	2 1	—	—	—	—	ZF 8	2	30
1307 2307	SR 80 × 10 SR 80 × 10	2 1	—	—	—	—	ZF 10	2	35
1308 2308	SR 90 × 10 SR 90 × 10	2 1	—	—	—	—	ZF 11	2	40
1309 2309	SR 100 × 10.5 SR 100 × 10	2 1	—	—	—	—	ZF 12	2	45
1310 2310	SR 110 × 11.5 SR 110 × 10	2 1	—	—	—	—	ZF 13	2	50
1311 2311	SR 120 × 12 SR 120 × 10	2 1	22311 22311B	SR120 × 12 SR120 × 10	2 1	—	ZF 15	2	55
1312 2312	SR 130 × 12.5 SR 130 × 10	2 1	21312 22312B	SR130 × 12.5 SR130 × 10	2 1	—	ZF 16	2	60
1313 2313	SR 140 × 12.5 SR 140 × 10	2 1	21313 22313B	SR140 × 12.5 SR140 × 10	2 1	—	ZF 17	2	65
1314 2314	SR 150 × 13 SR 150 × 10	2 1	21314 22314B	SR150 × 13 SR150 × 10	2 1	—	ZF 18	2	70
1315 2315	SR 160 × 14 SR 160 × 10	2 1	21315 22315B	SR160 × 14 SR160 × 10	2 1	—	ZF 19	2	75
1316 2316	SR 170 × 14.5 SR 170 × 10	2 1	21316 22316B	SR170 × 14.5 SR170 × 10	2 1	—	ZF 20	2	80
1317 2317	SR 180 × 14.5 SR 180 × 10	2 1	21317 22317B	SR180 × 15.5 SR180 × 10	2 1	—	ZF 21	2	85
1318 2318	SR 190 × 15.3 SR 190 × 9.5	2 1	21318 22318B	SR190 × 15.3 SR190 × 10	2 1	—	ZF 22	2	90
1319 2319	SR 200 × 15.8 SR 200 × 9.5	2 1	21319 22319B	SR200 × 15.8 SR200 × 9.5	2 1	—	ZF 24	2	95
1320 2320	SR 215 × 17.8 SR 215 × 9.5	2 1	21320 22320B	SR215 × 17.8 SR215 × 9.5	2 1	—	ZF 26	2	100
1322 2322	SR 240 × 19.8 SR 240 × 9.5	2 1	22322B	SR240 × 9.5	1	—	ZF 28	2	110
—	—	—	22324B	SR260 × 9.5	1	—	ZF 30	2	120
—	—	—	22326B	SR280 × 9.5	1	—	ZF 34	2	130
—	—	—	22328B	SR300 × 9.5	1	—	ZF 36	2	140
—	—	—	22330B	SR320 × 9.5	1	—	ZF 38	2	150
—	—	—	22332B	SR340 × 9.5	1	—	ZF 40	2	160

Notes : 3. When one stabilizing ring is used, the fixed end bearing is offset from the center of the housing by a distance equal to half the width of the ring.

4. Please contact **SKI** when the plummer block is to be used with oil lubrication.

Ordering :

When ordering, specify all parts needed. For example, order one SN305 housing, one 1305 bearing, two SR62 × 8.5 stabilizing rings (for fixed end only) and two ZF7 oil seals. If you order only an SN305, you will only receive an SN305 housing.